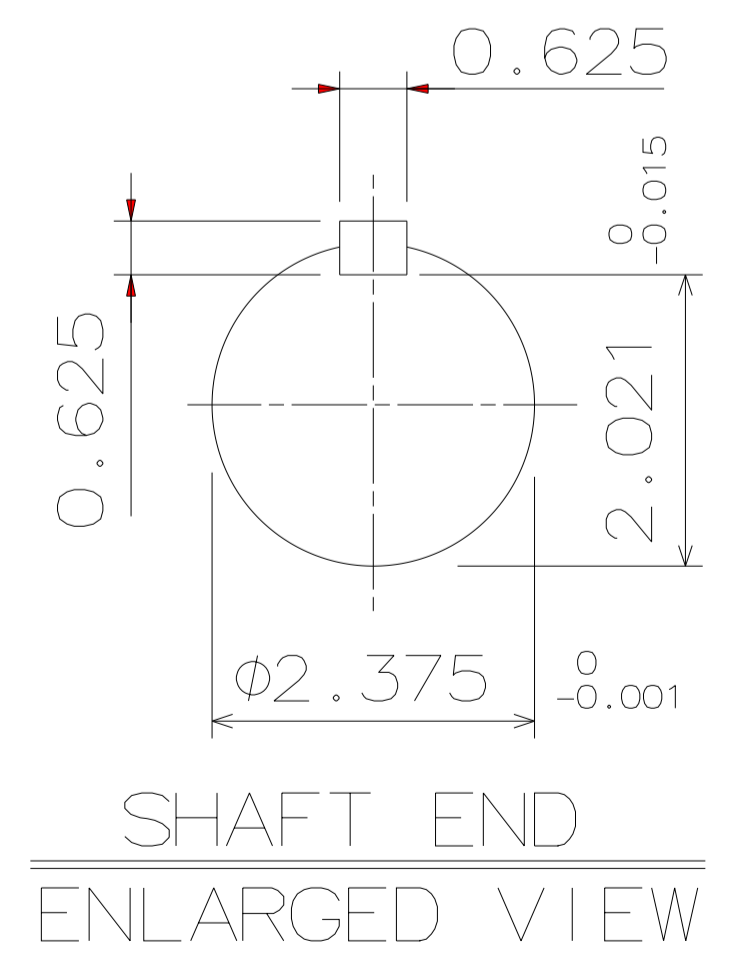
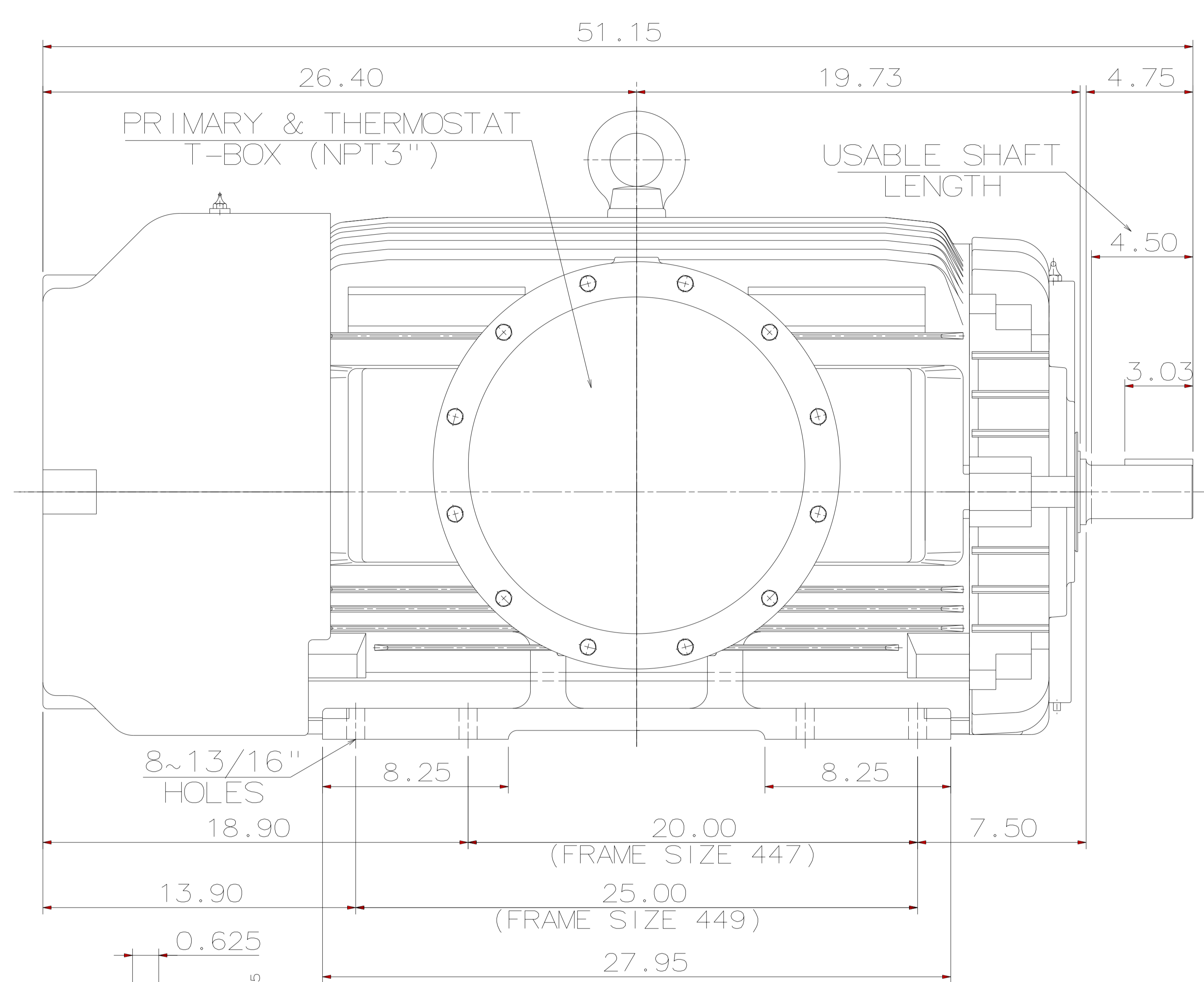
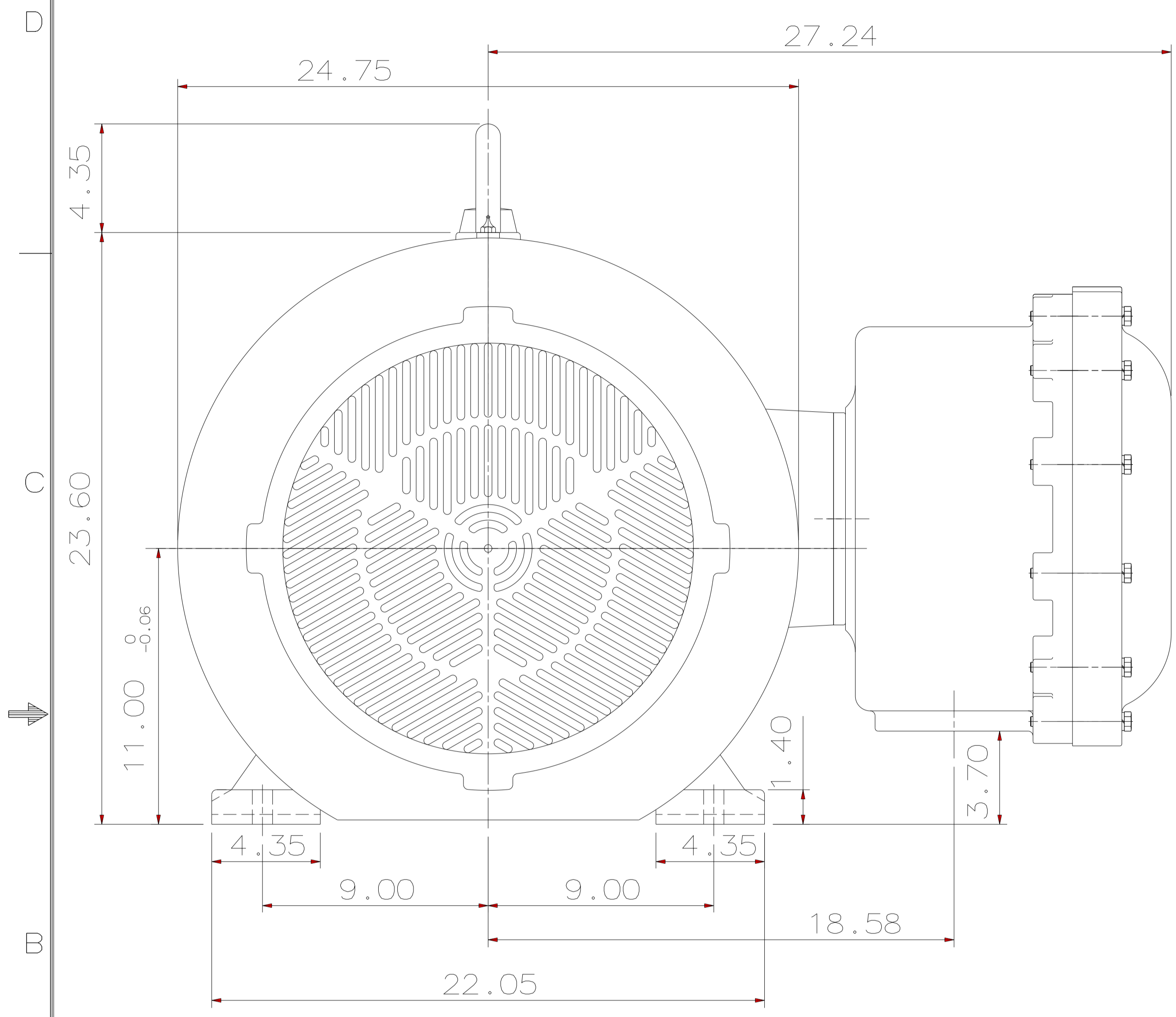


TYPE	OUTPUT		POLE	TIME RATING	VOLTAGE V	Hz	SYN. SPEED R.P.M
	HP.	kW.					
AEHH-XU	300	224	2	CONT.	460	60	3600

TOTALLY ENCLOSED FAN-COOLED TYPE. SUIRREL-CAGE ROTOR



- NOTE:
1. DIMENSIONS IN inch
  2. FRAME NO. 449TS
  3. F CLASS INSULATION, S.F.1.15
  4. FOR DIRECT FLEXIBLE COUPLING
  5. ENCLOSURE: IP55
  6. BEARING SIZE: DRIVE-END 6316C3  
OPP. DRIVE-END 6316C3
  7. UL EXPLOSION PROOF
  8. WITH THERMOSTAT: N.C. 145°C 3PCS
  9. NON-SPARKING FAN
  10. APPROX. WEIGHT: 2890 lb

DATE	January 4, 2020	OUTLINE DIMENSIONS
Catalog No.:	XP3002	

DWN.	J. WANG	DEC. 20. 2019
CHKD.	W. CHENG	DEC. 20. 2019
APPD.	B. LEE	DEC. 20. 2019

TEC Westinghouse

DWG NO. REV: 00  
4B040X553