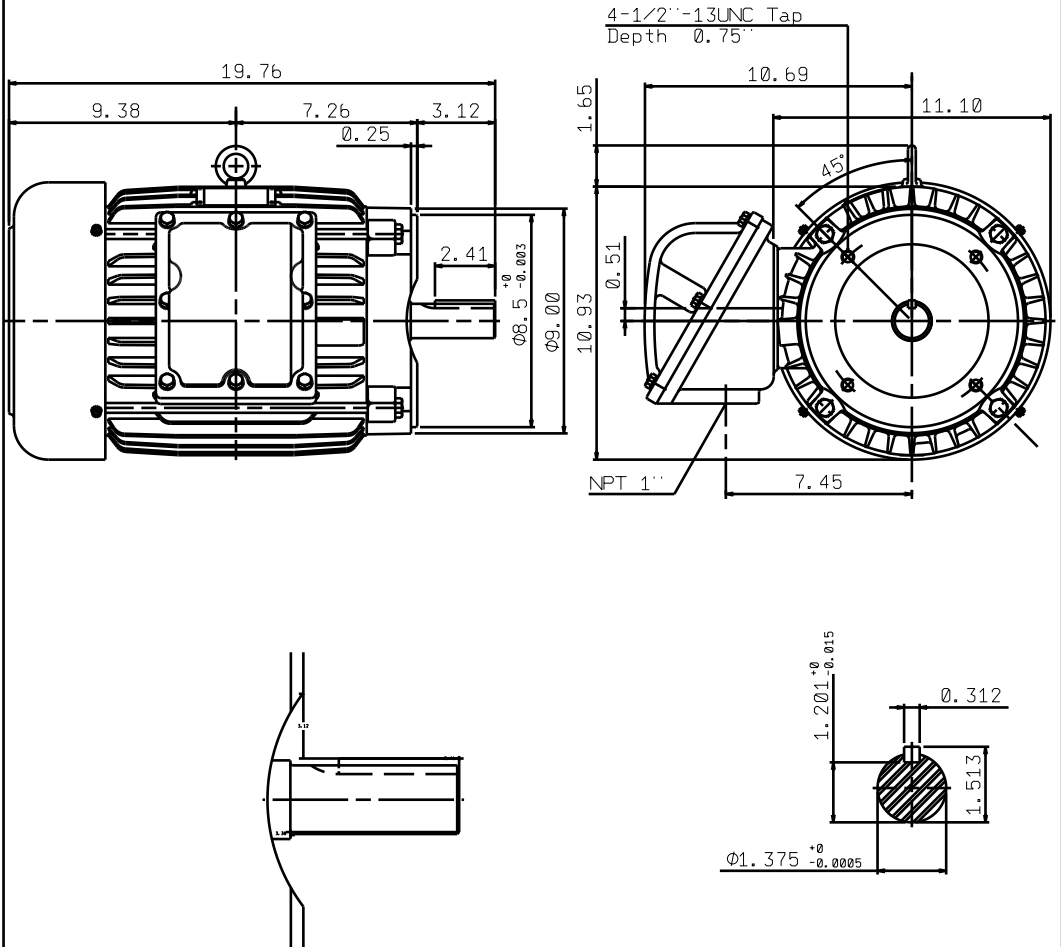


DATE MAY 11, 2015	OUTLINE DIMENSIONS 3-PHASE INDUCTION MOTOR	MOTOR TYPE: ÆUHXG
CATALOG NO. XPV0104C		FRAME NO. 215TC

Pole	HP	KW	Hz	VOLT	Syn. Speed r/min (rpm)
4	10	7.5	60	230/460	1800

Ins	Rating	Dimension in	Approx Weight	Bearings
F	CONT.	inches	216 lbs.	DE: 6308ZZ NDE: 6306ZZ

Totally Enclosed Fan-Cooled Type. Squirrel-Cage Rotor.



Note:
1. Explosion proof:
CLASS I, DIV 1, GROUP C+D, *J
CLASS II, DIV 1 and 2, GROUP
E, F, G.

DWN.	J. H. LIANG	11•28•00
CHKD.	C. S. LO	03•22•01
APPD.	Y. B. HUANG	03•22•01

TEC Westinghouse

DWG NO.
31049U55402