

TECO

OUTLINE DIMENSIONS

MOTOR TYPE:
AEUHXF-10C

DATE

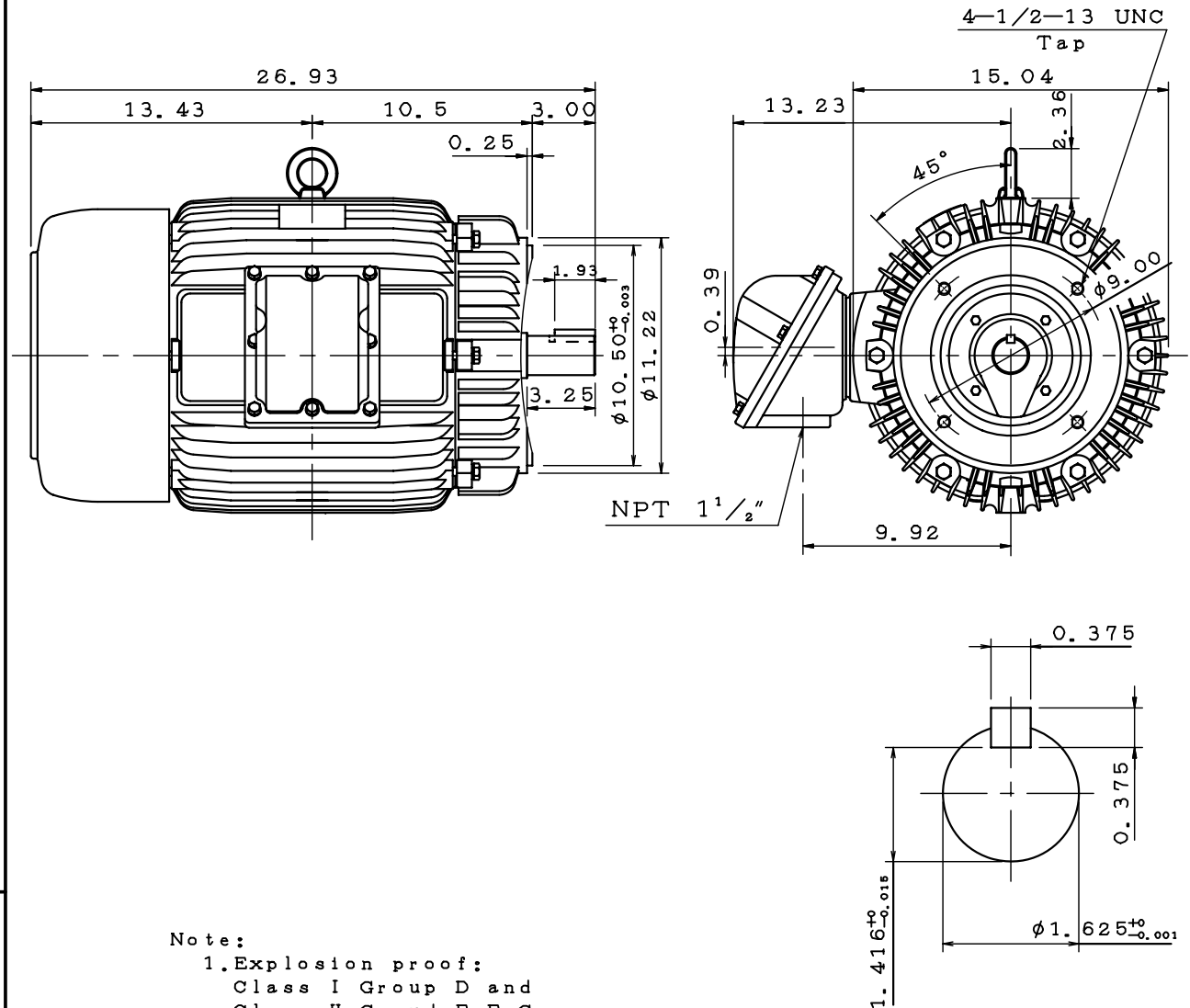
3-PHASE INDUCTION MOTOR

FRAME NO. 286TSC

Pole	HP	kW	Hz	VOLT	r/min
2	30	—	60	230/460	3600

Ins	Rating	Dimension in	Approx Weight	Bearings
F	CONT.	inches		DE:6211C3 NDE:6211C3

Totally Enclosed Fan-Cooled Vertical Type. Squirrel-cage Rotor.



WL17706-

0		
---	--	--

DWG.	郭耿良	12.13.12	東元電機股份有限公司 TECO Electric & Machinery Co., Ltd. TAIWAN	DWG NO.	31057H205600
CHKD.	郭耿良	12.15.12			
APPD.	蔡明釗	12.15.12			