

DATE  
March 5, 2007  
Cat. #: XPV0602C

# OUTLINE DIMENSIONS

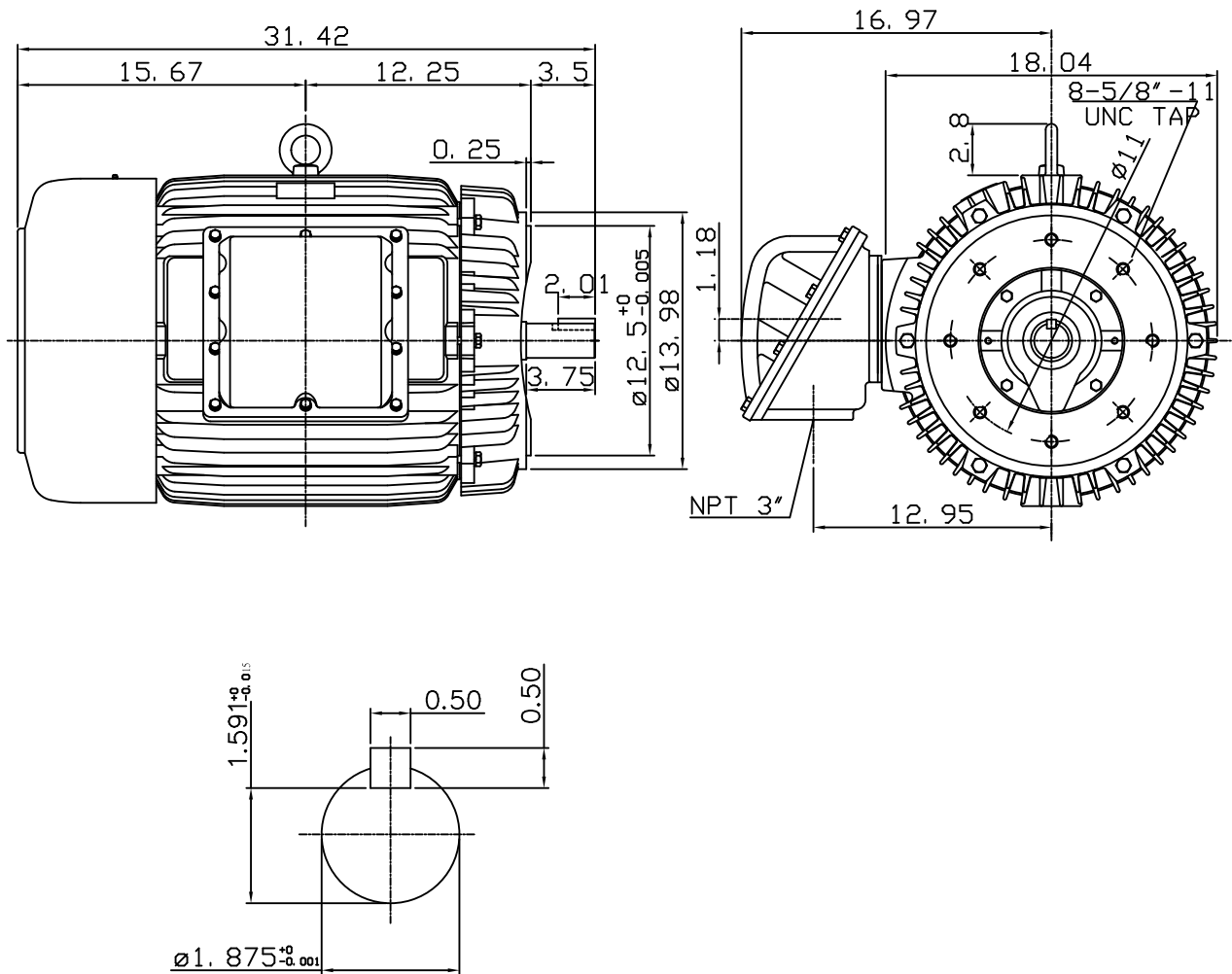
## 3-PHASE INDUCTION MOTOR

MOTOR TYPE:  
AEUHXG  
FRAME NO. 364TSC

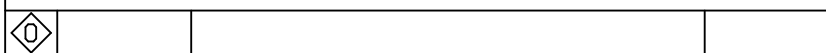
Pole	HP	kW	Hz	VOLT	Syn. Speed r/min(rpm)
2	60	44.8	60	230/460	3600

Ins	Rating	Dimension in	Approx Weight	Bearings
F	CONT.	inches	913 lbs	DE: 6312C3 NDE: 6212C3

Totally Enclosed Fan-Cooled Vertical Type. Squirrel-Cage Rotor.



Note:  
1. Suitable for division I,  
class I Group D & class II  
Group E, F, G, T2D or T3B.



DWN.	G. L. GUD	05-28-03
CHKD.	C. H. KAO	06-06-03
APPD.	M. C. TSAI	06-06-03

TECO Westinghouse

DWG NO.  
31049U565000