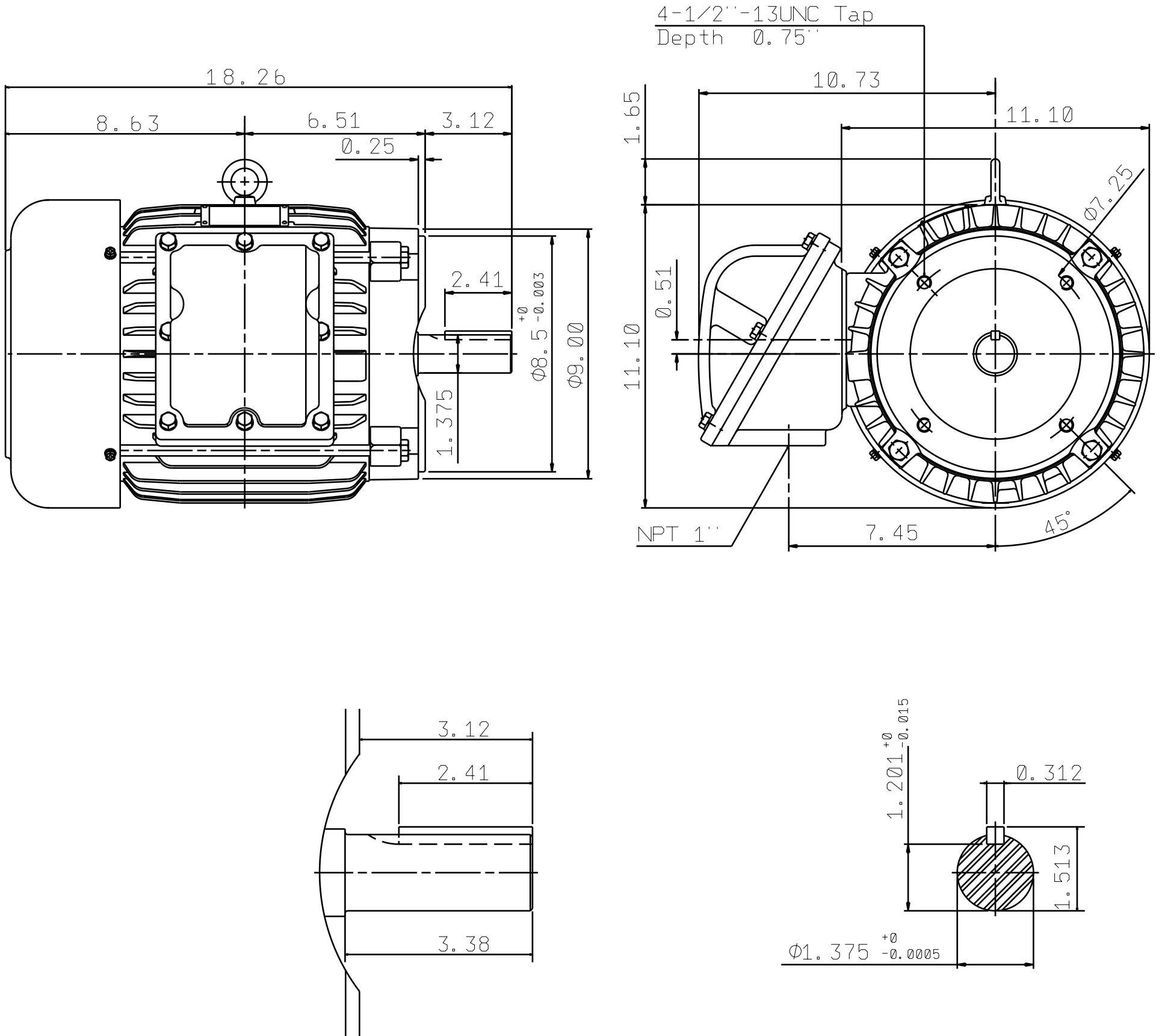


DATE MAY 11. 2015	OUTLINE DIMENSIONS 3-PHASE INDUCTION MOTOR	MOTOR TYPE: AEUHXG
CATALOG NO. XPV7/54C		FRAME NO. 213TC

Pole	HP	KW	Hz	VOLT	Syn. Speed r/min(rpm)
4	7.5	5.6	60	230/460	1800

Ins	Rating	Dimension in	Approx Weight	Bearings
F	CONT.	inches	217 lbs.	DE: 6308ZZ NDE: 6306ZZ

Totally Enclosed Fan-Cooled Type. Squirrel-Cage Rotor.



NOTE:
1. EXPLOSION PROOF:
 CLASS I, DIV 1, GROUP C+D,
 CLASS II, DIV 1 and 2, GROUP
 E,F,G.

	DWN.	J. H. LIANG	11.28.00		DWG NO.
	CHKD.	C. S. LO	03.22.01		
	APPD.	Y. B. HUANG	03.22.01		