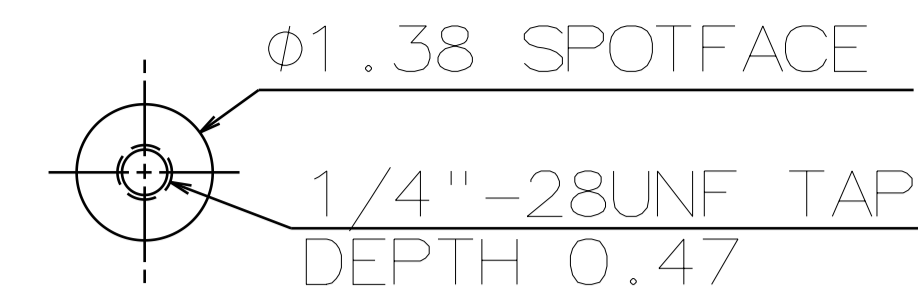


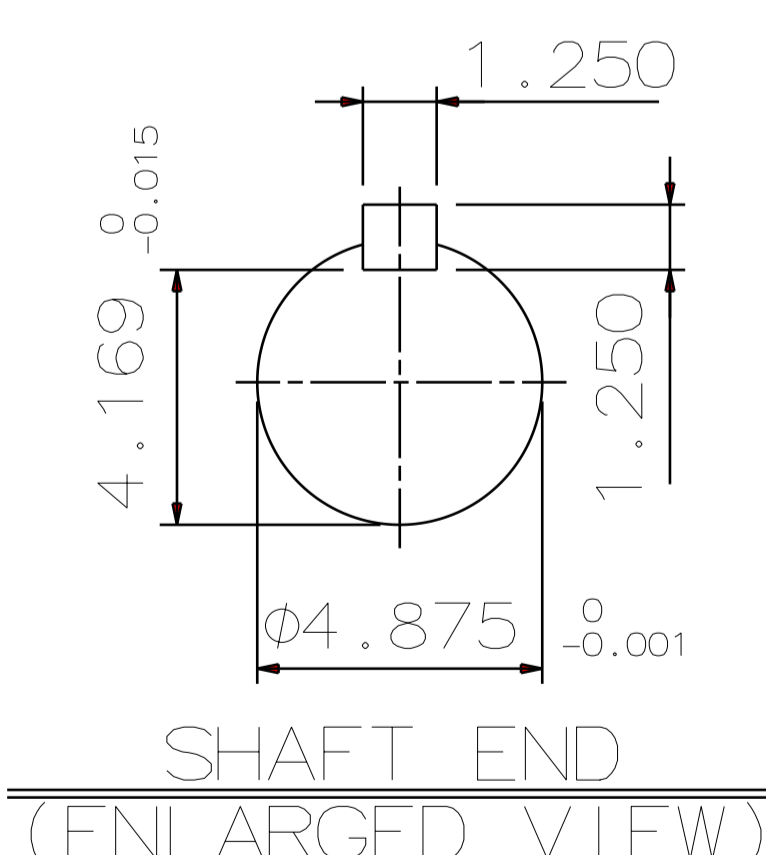
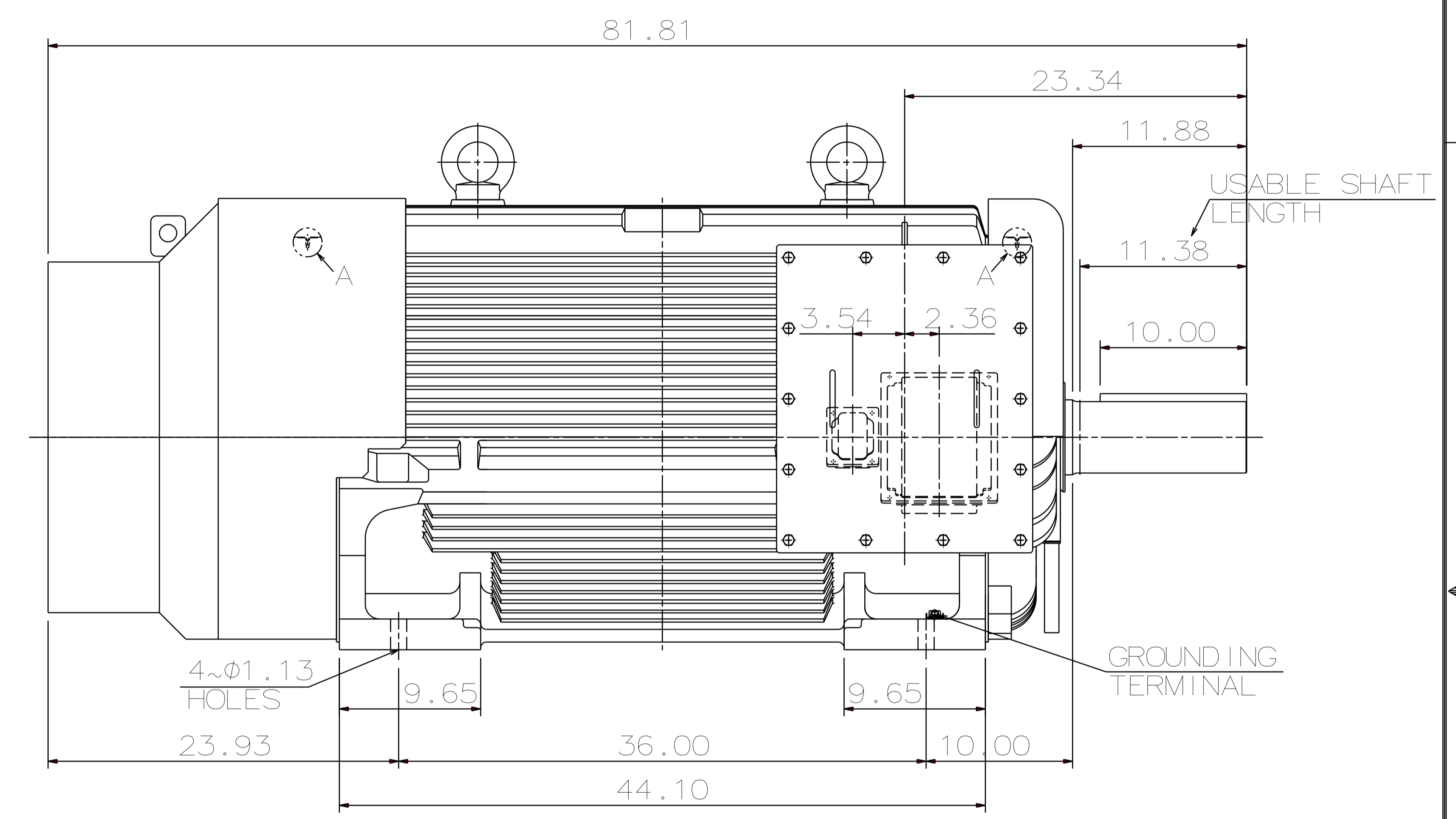
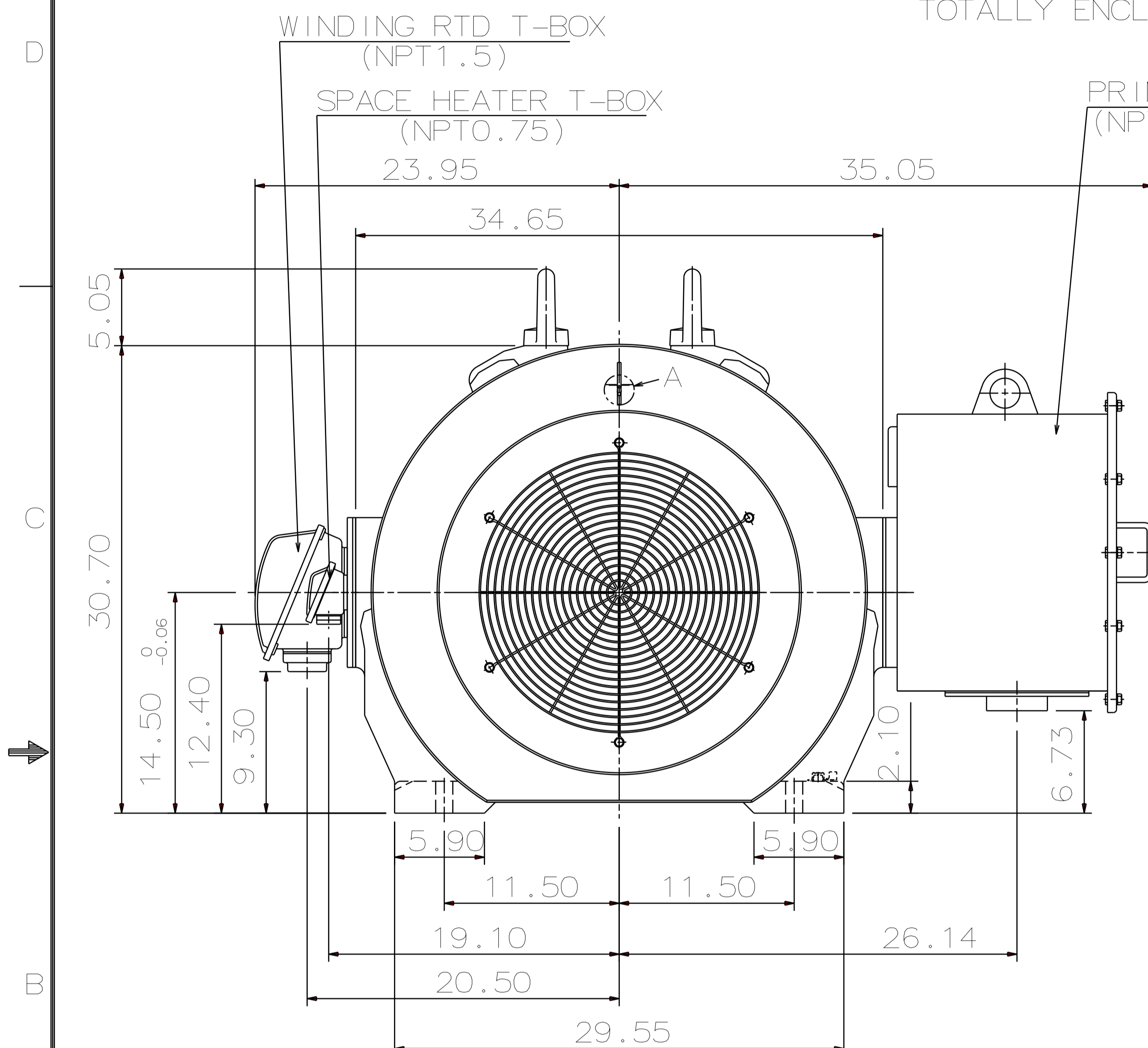
TYPE	OUTPUT		POLE	TIME RATING	VOLTAGE V	Hz	SYN. SPEED R.P.M
	HP.	kW.					
AEHAGD	700	522	4	CONT.	2300/4000	60	1800

TOTALLY ENCLOSED FAN-COOLED TYPE, SQUIRREL-CAGE ROTOR



DETAIL A

(PROVISION FOR VIBRATION SENSOR)



- NOTE:
- DIMENSIONS IN inch
 - FRAME NO. 5810B
 - F CLASS INSULATION, S.F.1.15
 - FOR DIRECT FLEXIBLE COUPLING
 - ENCLOSURE: IP55
 - BEARING SIZE: DRIVE-END **NU326**
OPP. DRIVE-END 6322
 - WITH WINDING RTD: PT 100Ω/0°C 6PCS
 - WITH SPACE HEATER: SINGLE PHASE, 120V
 - PROVISION FOR BEARING RTD MOUNTING: 2~PT1/2" TAPS PER BRACKET
 - NON-SPARKING FAN
 - CORROSION PROOF
 - APPROXIMATE WEIGHT: 6,115 LBS

DATE	DEC 08 2016	OUTLINE DIMENSIONS	
KD7004R		3-PHASE INDUCTION MOTOR	
DWN. J. CHANG MAY.27.2015		DWG NO.	REV:00
CHKD. H. HUANG MAY.27.2015		4B040L396	
APPD. C. LIU MAY.27.2015		TEC Westinghouse	